

V224G Technical Data Sheet

		CONTROL SYSTEM	SELF EXCITED
INSULATION SYSTEM	CLASS H	A.V.R.	AS440
PROTECTION	IP23	VOLTAGE REGULATION	±1.0 %
WINDING PITCH	2/3	SUSTAINED SHORT CIRCUIT	NOT
WINDING LEADS	12	WAVEFORM DISTORTION	NO LOAD < 1.5% NON-DISTORTING BALANCED LINEAR LOAD < 5.0%
MAXIMUM / OVERSPEED	2250 Rev/Min	TELEPHONE INTERFERENCE: THF	THF < 2%
		TELEPHONE INTERFERENCE: TIF	TIF < 50

50Hz CLASS "H"

RATINGS		Winding 311 / 0.8 Power Factor								Winding 05				
Duty/Ambient T°. RISE		Cont.125K/40°C				Standby - 150/40°				Cont.125K/40°C			Cont.125K/40°C	
PHASE		3 PHASE								1 PHASE			1 PHASE	
SERIES STAR		380	400	415	440	380	400	415	440				Power Factor	
PARALLEL STAR		190	200	208	220	190	200	208	220				0.8	1
SERIES DELTA		220	230	240	254	220	230	240	254					
DOUBLE DELTA										220	230	240	220, 230, 240	
SLG224G	KVA	85	85	85	75	87.5	87.5	87.5	76.9	56.5	56.5	56.5	60.0	60.0
	KW	68	68	68	60	70	70	70	61.5	45.2	45.2	45.2	48.0	48.0

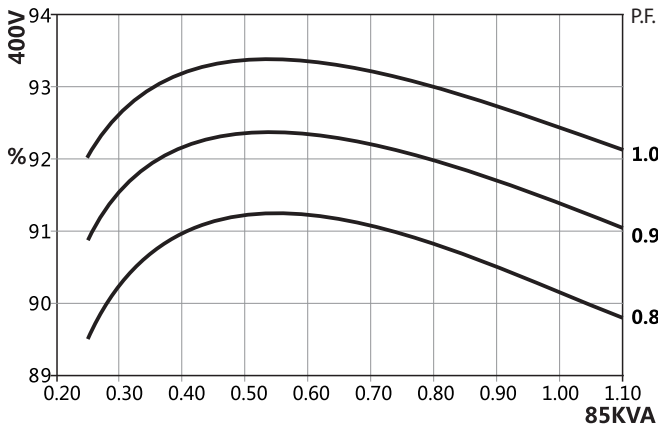
60Hz CLASS "H"

RATINGS		Winding 311 / 0.8 Power Factor								Winding 06				
Duty/Ambient T°. RISE		Cont.125K/40°C				Standby - 150/40°				Cont.125K/40°C			Cont.125K/40°C	
PHASE		3 PHASE								1 PHASE			1 PHASE	
SERIES STAR		416	440	460	480	416	440	460	480				Power Factor	
PARALLEL STAR		208	220	230	240	208	220	230	240				0.8	1
SERIES DELTA		240	254	266	277	240	254	266	277					
DOUBLE DELTA										220	230	240	220, 230, 240	
SLG224G	KVA	93.8	97.5	100	103.8	98.1	102.5	102.5	110	56.9	59.4	62.5	65.6	65.6
	KW	75	78	80	83	78.5	82	82	88	45.5	47.5	50	52.5	65.6

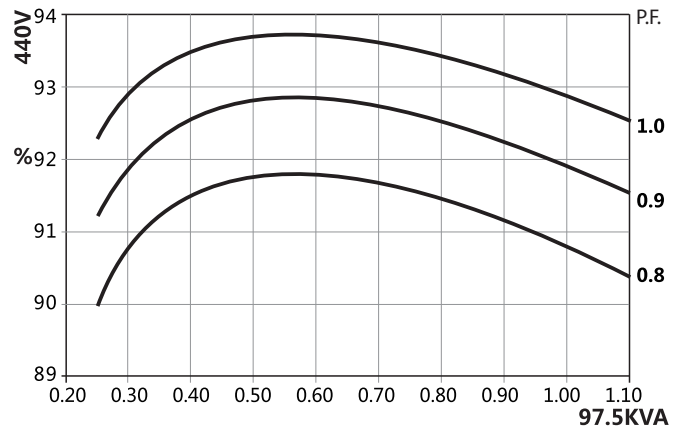
REACTANCES , TIME CONSTANTS (s) : CLASS : H / 400 V

	SLG224G	
	50Hz/400V	60Hz/440V
Xd DIR. AXIS SYNCHRONOUS	2.20	2.47
X'd DIR. AXIS TRANSIENT	0.17	0.19
X''d DIR. AXIS SUBTRANSIENT	0.12	0.13
Xq QUAD. AXIS REACTANCE	1.01	1.13
X''q QUAD. AXIS SUBTRANSIENT	0.15	0.14
XL LEAKAGE REACTANCE	0.06	0.07
X2 NEGATIVE SEQUENCE	0.14	0.14
X0 ZERO SEQUENCE	0.10	0.07
T'd TRANSIENT TIME CONST. (s)	0.03	
T''d SUB-TRANSTIME CONST. (s)	0.008	
T'do O.C. FIELD TIME CONST. (s)	0.75	
Ta ARMATURE TIME CONST. (s)	0.007	
SHORT CIRCUIT RATIO	1/ Xd	

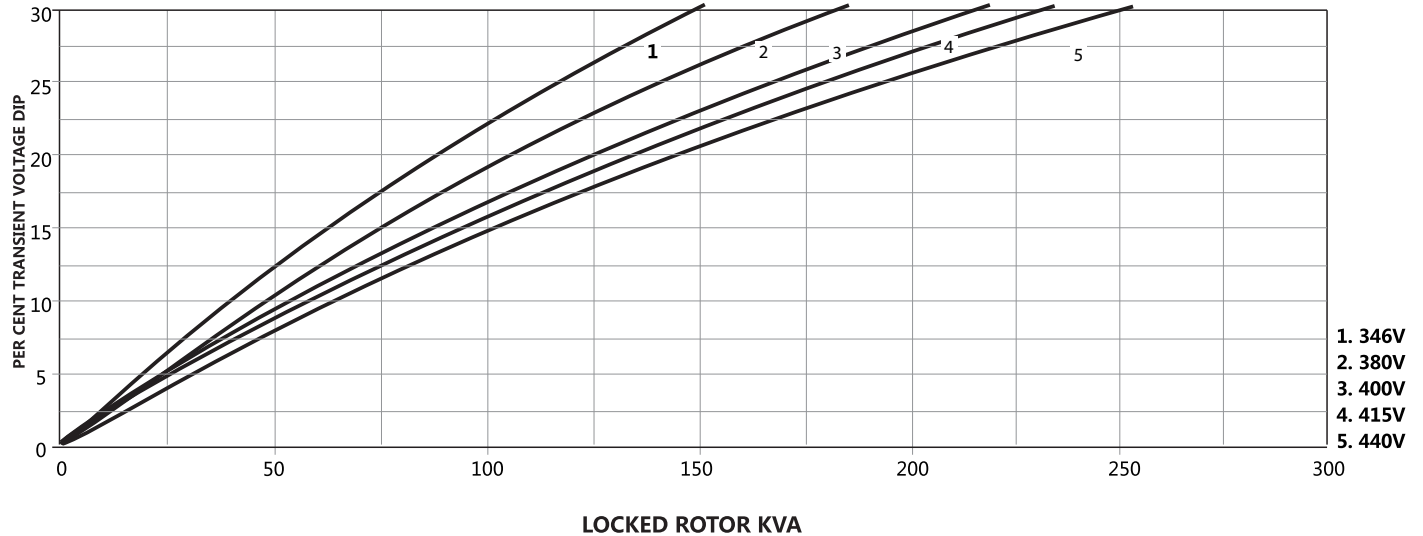
50Hz 400V Winding 311 THREE PHASE EFFICIENCY CURVES



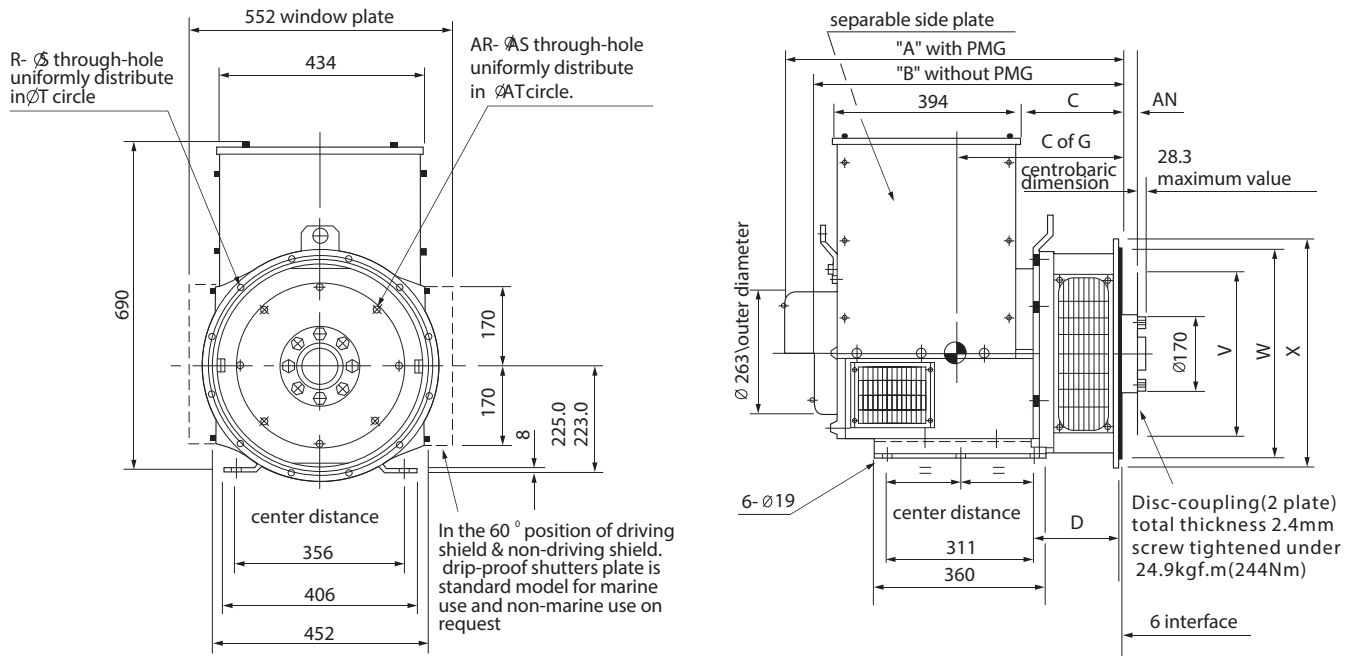
60Hz 440V Winding 311 THREE PHASE EFFICIENCY CURVES



50Hz 400V Winding 311 Locked Rotor Motor Starting Curve



Single bearing external dimension



DIMENSION (mm)

	Model	A	B	C	Cof G
SAE1.2.4	SLG224G	869	806	368.5	373
SAE3	SLG224G	845	782	345	361

DISC COUPLING (mm)

S.A.E.NO.	AN	AR	AS	AT	V
8	61.9	6	10.3	244.4	263.4
10	53.98	8	10.3	295.3	314.2
11.5	39.68	8	10.3	333.3	352.3
14	25.40	8	13.5	438.2	466.6

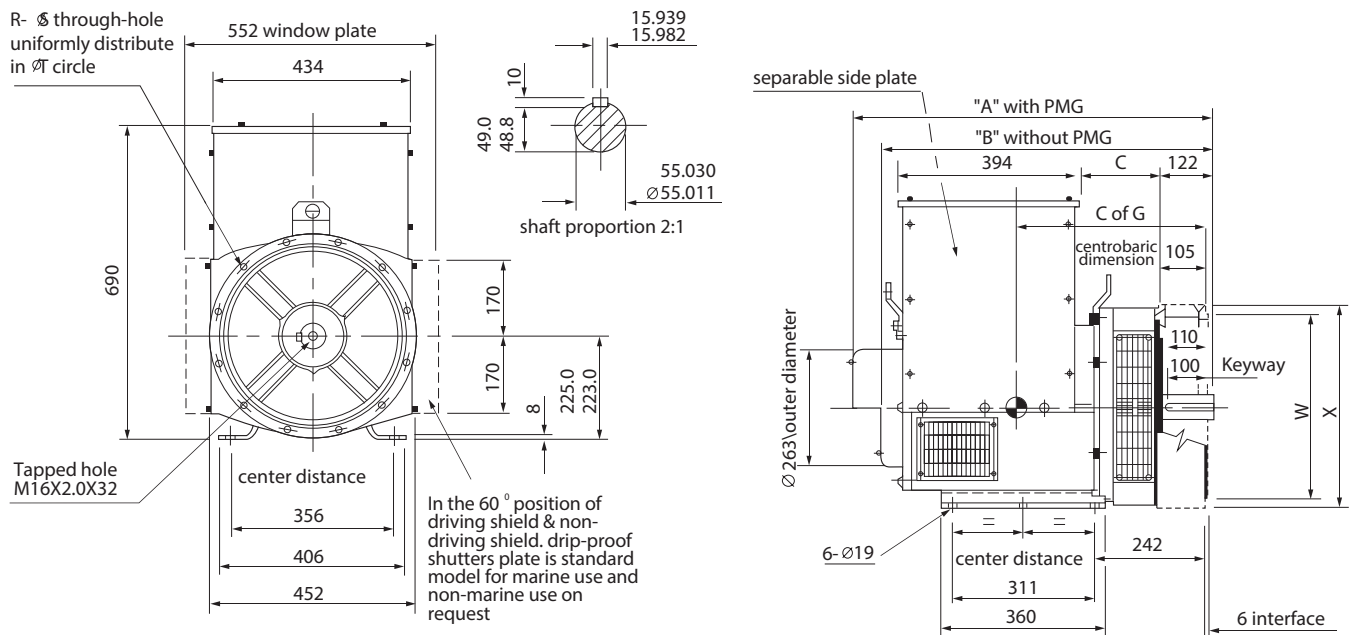
FLANGE (mm)

S.A.E.NO.	D	R	S	T	W	X
1	200.5	12	12.7	530.2	511.1	560
2	200.5	12	11	466.7	447.6	490
3	177	12	11	428.6	409.5	451
4	200.5	8	11	381.0	361.9	450

SAE NO SELECTOR CHOWT

	SAE8	SAE10	SAE11.5
SAE 2			•
SAE 3		•	•
SAE 4	•	•	

Double bearing external dimension



DIMENSION

Model	A	B	C	C of G
SLG224G	927	864	305	418

FLANGE (mm)

S.A.E.NO.	R	S	T	W	X
1	12	12.7	530.2	511.17	553
2	12	11	466.7	447.6	495
3	12	11	428.6	409.5	451
4	8	11	381.0	361.9	403
5	8	11	333.3	314.3	356

TRANSPORTATION DATA

Model	N.W(kg)	G.W(kg)	LXWXH(cm)	QTY FOR 20FT CONTAINER
SLG224G	360	385	108x66x94	

TRANSPORTATION DATA

Model	N.W(kg)	G.W(kg)	LXWXH(cm)	QTY FOR 20FT CONTAINER
SLG224G	350	370	108x66x94	

ISO9001



ITALIAN TECHNOLOGY

www.voltaggio.ae