

V274G Technical Data Sheet

		CONTROL SYSTEM	SELF EXCITED
INSULATION SYSTEM	CLASS H	A.V.R.	AS440
PROTECTION	IP23	VOLTAGE REGULATION	±1.0 %
WINDING PITCH	2/3	SUSTAINED SHORT CIRCUIT	NOT
WINDING LEADS	12	WAVEFORM DISTORTION	NO LOAD < 1.5% NON-DISTORTING BALANCED LINEAR LOAD < 5.0%
MAXIMUM / OVERSPEED	2250 Rev/Min	TELEPHONE INTERFERENCE: THF	THF < 2%
		TELEPHONE INTERFERENCE: TIF	TIF < 50

50Hz CLASS "H"

RATINGS		Winding 311 / 0.8 Power Factor								
Duty/Ambient T°. RISE		Cont.125K/40°C			Standby - 150/40°			Cont.125K/40°C		
PHASE		3 PHASE						1 PHASE		
SERIES STAR		380	400	415	380	400	415			
PARALLEL STAR		190	200	208	190	200	208			
SERIES DELTA		220	230	240	220	230	240			
DOUBLE DELTA								220	230	240
SLG274G	KVA	180	180	180	187	187	187	108	108	108
	KW	144	144	144	149.6	149.6	149.6	86.4	86.4	86.4

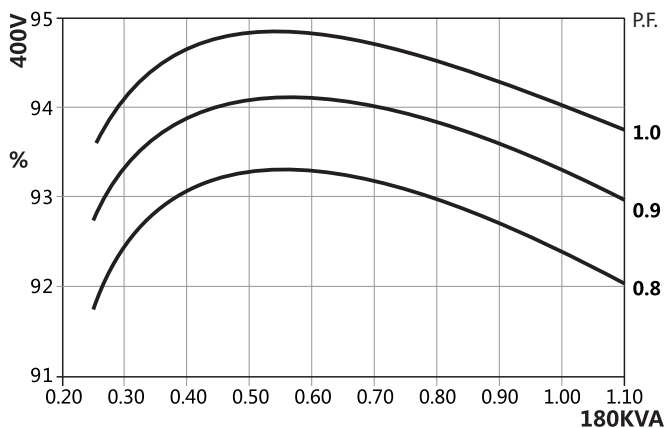
60Hz CLASS "H"

RATINGS		Winding 311 / 0.8 Power Factor										
Duty/Ambient T°. RISE		Cont.125K/40°C				Standby - 150/40°				Cont.125K/40°C		
PHASE		3 PHASE								1 PHASE		
SERIES STAR		416	440	460	480	416	440	460	480			
PARALLEL STAR		208	220	230	240	208	220	230	240			
SERIES DELTA		240	254	266	277	240	254	266	277			
DOUBLE DELTA										220	230	240
SLG274G	KVA	205	218.5	218.5	231.4	213	228.8	228.8	250	110.5	115.7	123.4
	KW	164	174.8	174.8	185.1	170.4	183	183	200	88.4	92.6	98.7

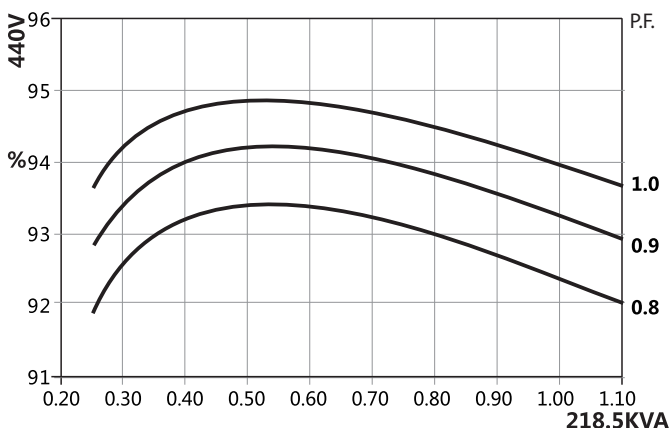
REACTANCES , TIME CONSTANTS (s) : CLASS : H / 400 V

	SLG274G	
	50Hz/400V	60Hz/440V
Xd DIR. AXIS SYNCHRONOUS	1.92	2.31
X'd DIR. AXIS TRANSIENT	0.17	0.20
X''d DIR. AXIS SUBTRANSIENT	0.12	0.14
Xq QUAD. AXIS REACTANCE	1.15	1.40
X''q QUAD. AXIS SUBTRANSIENT	0.16	0.17
XL LEAKAGE REACTANCE	0.07	0.08
X2 NEGATIVE SEQUENCE	0.12	0.15
X0 ZERO SEQUENCE	0.07	0.09
T'd TRANSIENT TIME CONST. (s)	0.038	
T''d SUB-TRANSTIME CONST. (s)	0.012	
T'do O.C. FIELD TIME CONST. (s)	1	
Ta ARMATURE TIME CONST. (s)	0.01	
SHORT CIRCUIT RATIO	1/ Xd	

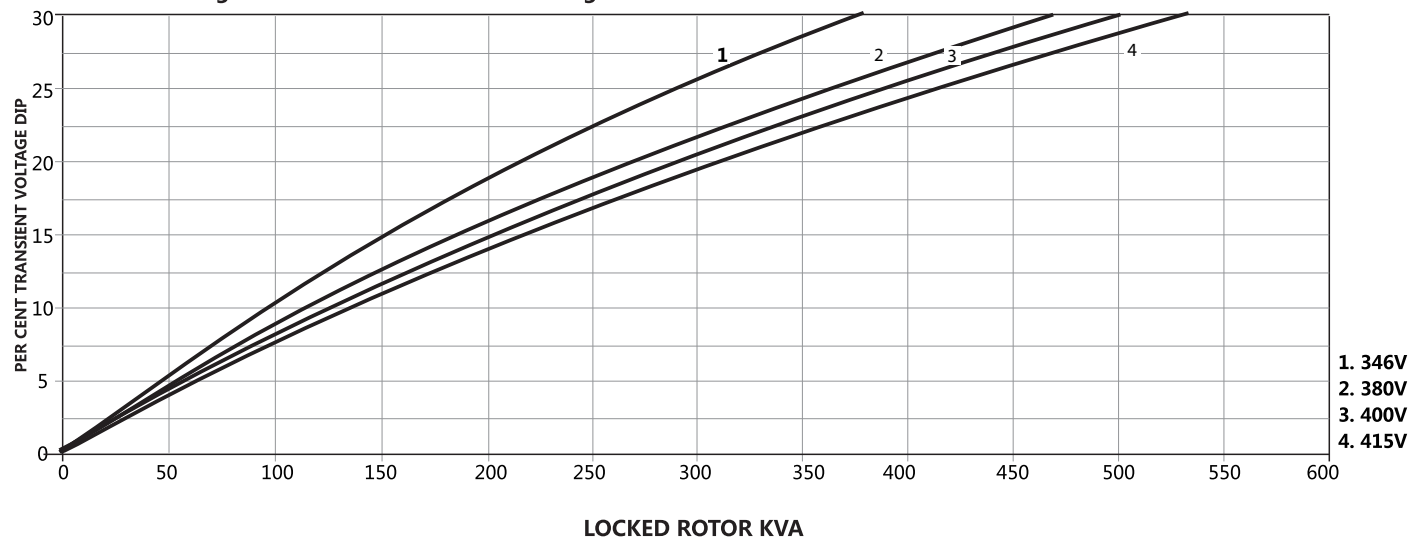
50Hz 400V Winding 311 THREE PHASE EFFICIENCY CURVES



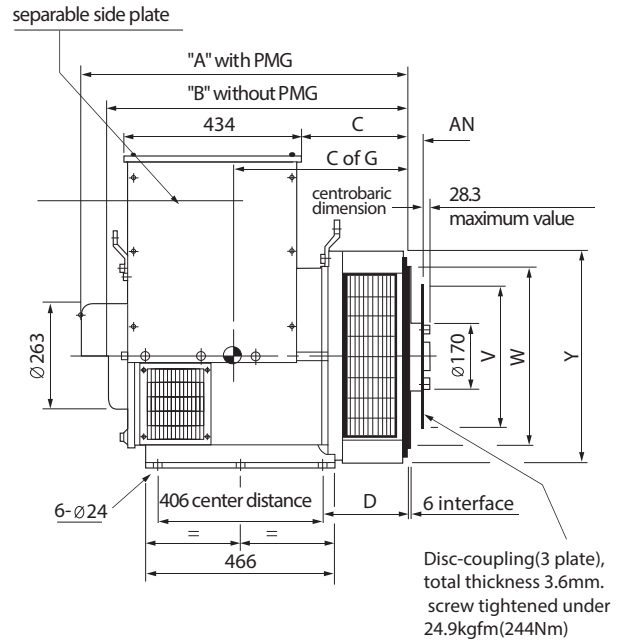
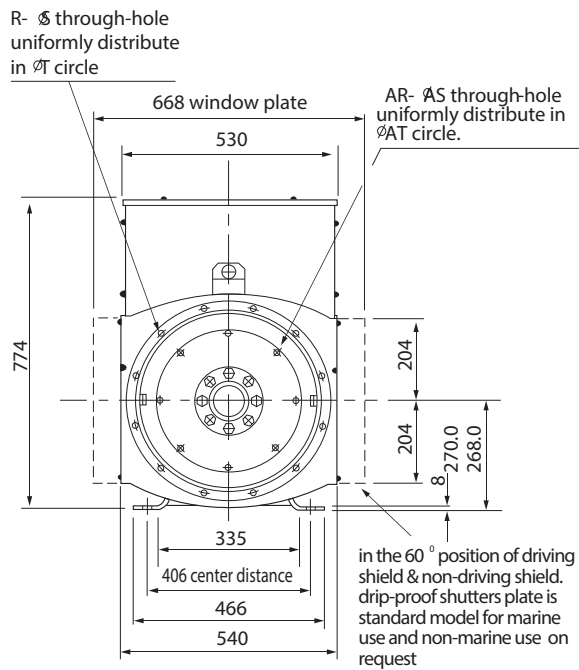
60Hz 440V Winding 311 THREE PHASE EFFICIENCY CURVES



50Hz 400V Winding 311 Locked Rotor Motor Starting Curve



Single bearing external dimension



DIMENSION (mm)

	Model	A	B	C	E	Cof G
SAE1	SLG274G	978.3	915.3	439.3	560	435
SAE2&3	SLG274G	964	904	425	540	579

DISC COUPLING (mm)

S.A.E.NO.	AN	AR	AS	AT	V
10	53.98	8	10.3	295.3	314.2
11.5	39.68	8	10.3	333.3	352.3
14	25.40	8	13.5	438.2	466.6

FLANGE (mm)

S.A.E.NO.	D	R	S	T	W	Y
1	216.3	12	12.7	530.2	511.1	580
2	202	12	11	466.7	447.6	530
3	202	12	11	428.6	409.5	530

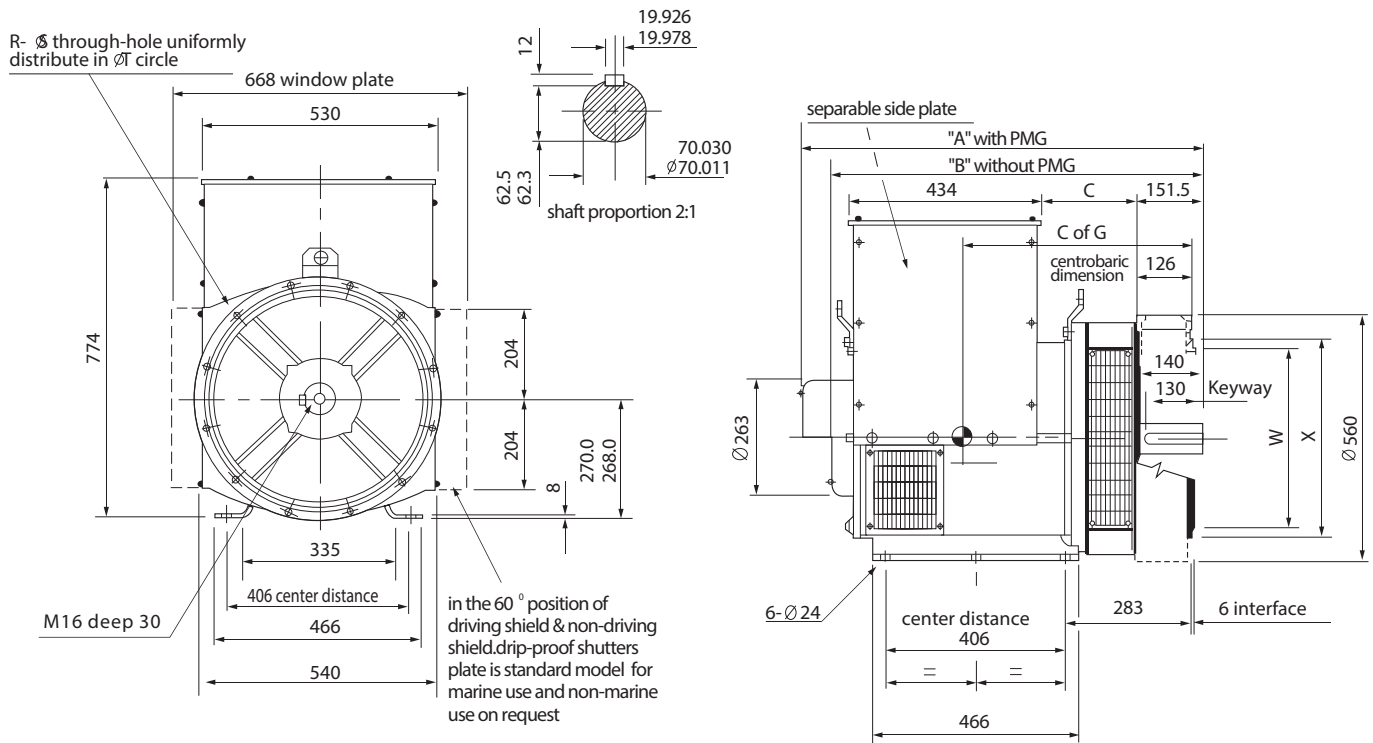
SAE NO SELECTOR CHOWT

	SAE10	SAE11.5	SAE14
SAE 1		•	•
SAE 2		•	
SAE 3	•	•	

TRANSPORTATION DATA

Model	N.W(kg)	G.W(kg)	LXWXH(cm)	QTY FOR 20FT CONTAINER
SLG274G	550	580	111x69x97	32

Double bearing external dimension



DIMENSION

Model	A	B	C	C of G
SLG274G	1070	1007	380	490

FLANGE (mm)

S.A.E.NO.	R	S	T	W	X
1	12	12.7	530.2	511.1	553
2	12	11	466.7	447.6	495
3	12	11	428.6	409.5	451

TRANSPORTATION DATA

Model	N.W(kg)	G.W(kg)	LXWXH(cm)	QTY FOR 20FT CONTAINER
SLG274G	560	600	115x68.5x97	32