

V274J Technical Data Sheet

INSULATION SYSTEM	CLASS H	CONTROL SYSTEM	SELF EXCITED
PROTECTION	IP23	A.V.R.	AS440
WINDING PITCH	2/3	VOLTAGE REGULATION	±1.0 %
WINDING LEADS	12	SUSTAINED SHORT CIRCUIT	NOT
MAXIMUM / OVERSPEED	2250 Rev/Min	WAVEFORM DISTORTION	NO LOAD < 1.5% NON-DISTORTING BALANCED LINEAR LOAD < 5.0%
		TELEPHONE INTERFERENCE: THF	THF < 2%
		TELEPHONE INTERFERENCE: TIF	TIF < 50

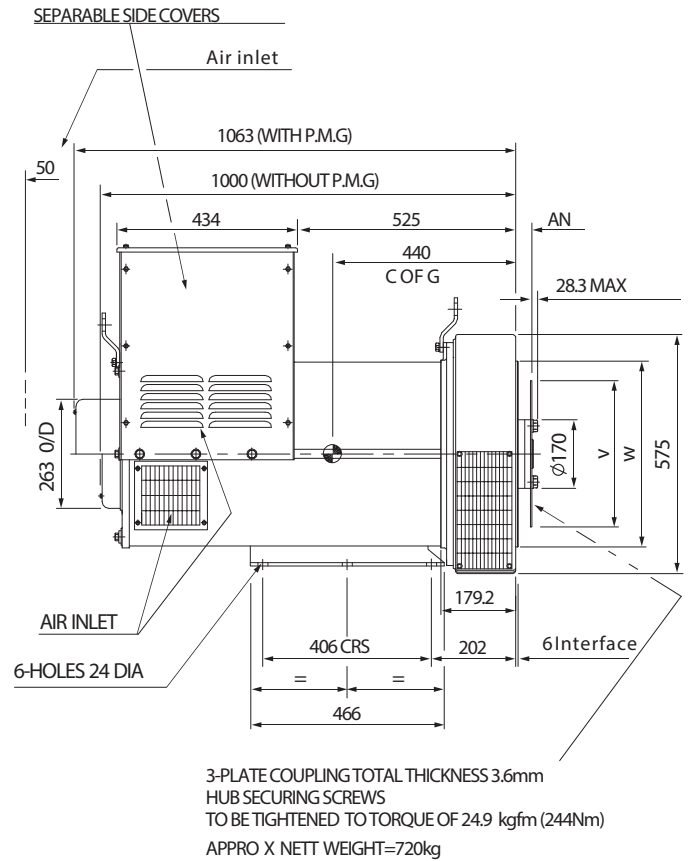
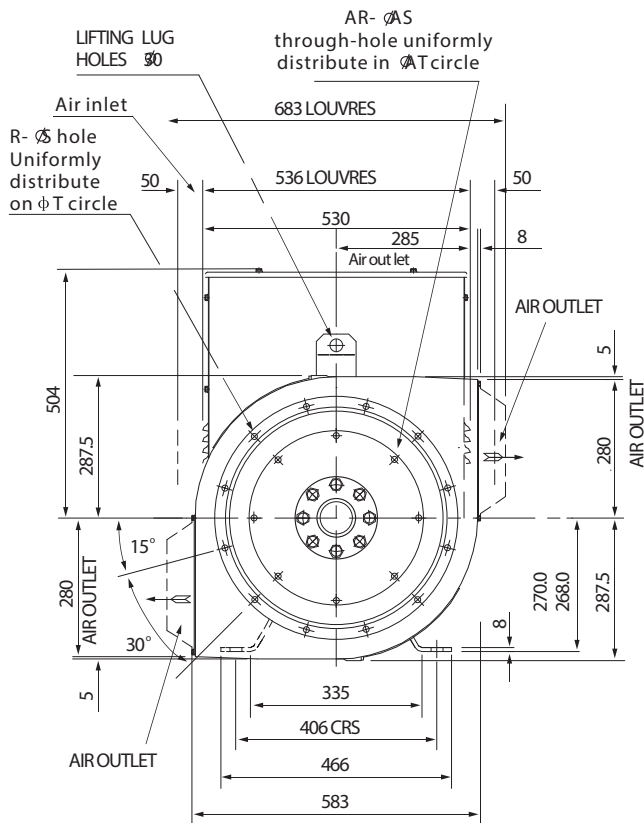
50Hz CLASS "H"

RATINGS		Winding 311 / 0.8 Power Factor								
Duty/Ambient T°. RISE		Cont.125K/40°C			Standby - 150/40°			Cont.125K/40°C		
PHASE		3 PHASE						1 PHASE		
SERIES STAR		380	400	415	380	400	415			
PARALLEL STAR		190	200	208	190	200	208			
SERIES DELTA		220	230	240	220	230	240			
DOUBLE DELTA								220	230	240
SLG274J	KVA	230	230	230	250	250	250	138	138	138
	KW	184	184	184	200	200	200	110.4	110.4	110.4

60Hz CLASS "H"

RATINGS		Winding 311 / 0.8 Power Factor										
Duty/Ambient T°. RISE		Cont.125K/40°C			Standby - 150/40°			Cont.125K/40°C				
PHASE		3 PHASE						1 PHASE				
SERIES STAR		416	440	460	480	416	440	460	480			
PARALLEL STAR		208	220	230	240	208	220	230	240			
SERIES DELTA		240	254	266	277	240	254	266	277			
DOUBLE DELTA										220	230	240
SLG274J	KVA	269	281	294	300	288	300	313	319	150	157	161
	KW	215.2	224.8	235.2	240	230.4	240	250.4	255.2	120	125.6	128.8

Single bearing external dimension



DISC COUPLING (mm)					
S.A.E.NO.	AN	AR	AS	AT	V
11.5	39.68	8	11	333.3	352.3
14	25.40	8	13.5	438.2	466.6
FLANGE (mm)					
S.A.E.NO.	R	S	T	W	
1	12	12.7	530.2	511.1	
2	12	11	466.7	447.6	
SAE NO SELECTOR CHOWT					
	SAE10	SAE11.5		SAE14	
SAE 1		•		•	
SAE 2		•			
SAE 3	•	•			

Double bearing external dimension

