

V274K Technical Data Sheet

INSULATION SYSTEM	CLASS H	CONTROL SYSTEM	SELF EXCITED
PROTECTION	IP23	A.V.R.	AS440
WINDING PITCH	2/3	VOLTAGE REGULATION	±1.0 %
WINDING LEADS	12	SUSTAINED SHORT CIRCUIT	NOT
MAXIMUM / OVERSPEED	2250 Rev/Min	WAVEFORM DISTORTION	NO LOAD < 1.5% NON-DISTORTING BALANCED LINEAR LOAD < 5.0%
		TELEPHONE INTERFERENCE: THF	THF < 2%
		TELEPHONE INTERFERENCE: TIF	TIF < 50

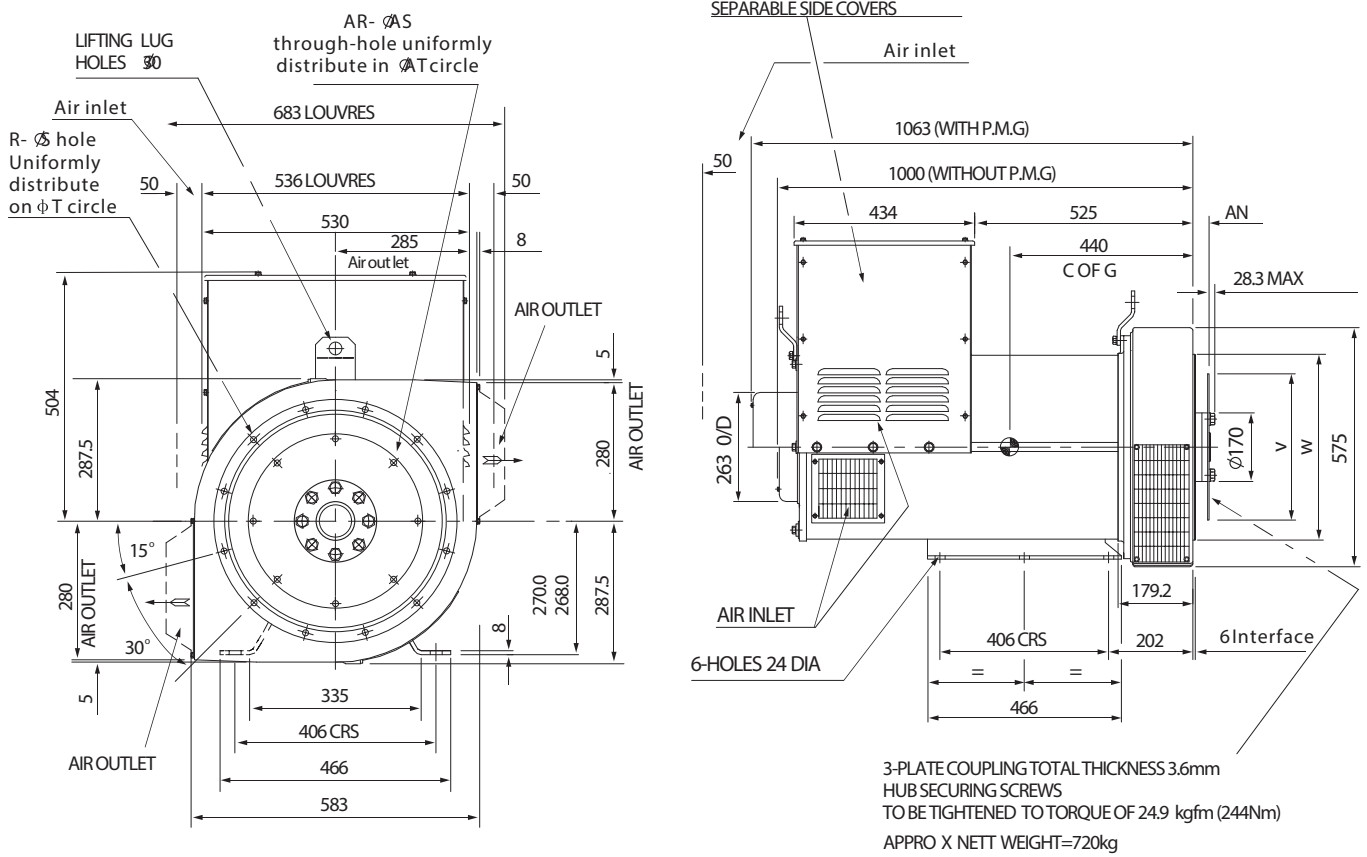
50Hz CLASS "H"

RATINGS		Winding 311 / 0.8 Power Factor								
Duty/Ambient T°, RISE		Cont.125K/40°C			Standby - 150/40°			Cont.125K/40°C		
PHASE		3 PHASE						1 PHASE		
SERIES STAR		380	400	415	380	400	415			
PARALLEL STAR		190	200	208	190	200	208			
SERIES DELTA		220	230	240	220	230	240			
DOUBLE DELTA								220	230	240
SLG274K	KVA	250	250	250	265	265	265	150	150	150
	KW	200	200	200	212	212	212	120	120	120

60Hz CLASS "H"

RATINGS		Winding 311 / 0.8 Power Factor										
Duty/Ambient T°, RISE		Cont.125K/40°C				Standby - 150/40°				Cont.125K/40°C		
PHASE		3 PHASE								1 PHASE		
SERIES STAR		416	440	460	480	416	440	460	480			
PARALLEL STAR		208	220	230	240	208	220	230	240			
SERIES DELTA		240	254	266	277	240	254	266	277			
DOUBLE DELTA										220	230	240
SLG274K	KVA	291	299	312.5	312.5	304	312.5	331.3	331.3	155	166	175
	KW	232.8	239.2	250	250	243.2	250	265	265	124	132.8	140

Single bearing external dimension



DISC COUPLING (mm)					
S.A.E.NO.	AN	AR	AS	AT	V
11.5	39.68	8	11	333.3	352.3
14	25.40	8	13.5	438.2	466.6
FLANGE (mm)					
S.A.E.NO.	R	S	T	W	
1	12	12.7	530.2	511.1	
2	12	11	466.7	447.6	
SAE NO SELECTOR CHOWT					
	SAE10	SAE11.5		SAE14	
SAE 1		•		•	
SAE 2		•			
SAE 3	•	•			

Double bearing external dimension

